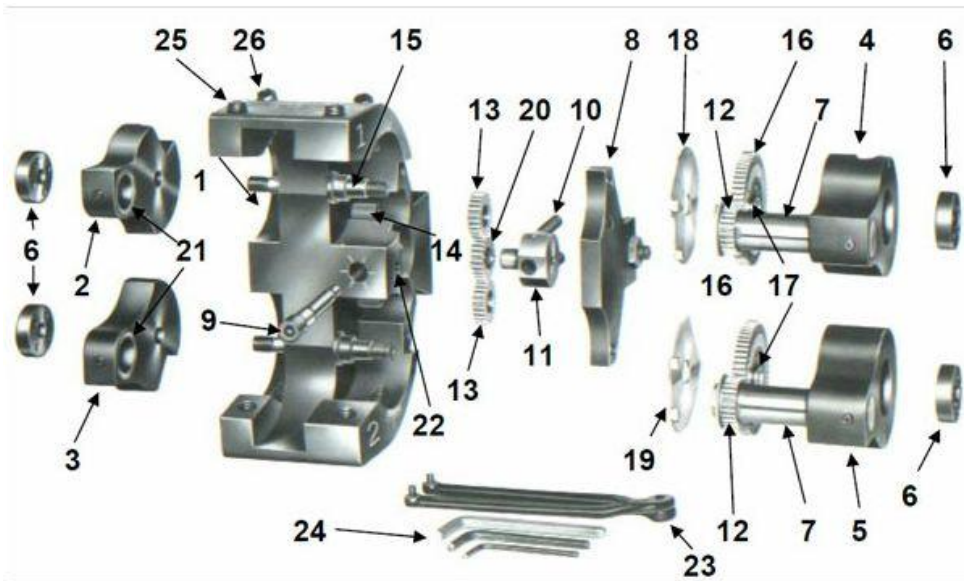


ATTACHMENT B36
SPARE PARTS SHEET SP130227/005-ING



Code	Part. N°	Part name
8200460	1	Head Body
8177510A	2	#1 Solid Arm (incl. bearing)
8177520A	3	#2 Solid Arm (incl. bearing)
8199990A	4	#1 Geared Arm (incl. spacer & bearing)
8200000A	5	#2 Geared Arm (incl. spacer & bearing)
8164780	6	Arm Clamping Nut
8164870	7	Roll Pin - carbide / bronze
8165760	8	Cover Plate
8164840	9	Matching Adj. Screw
8172090	10	Compensator Spring
8164850	11	Compensator Block
8164790	12	Drive Gear
8164800	13	Intermediate Gear
8164830	14	Gear Stud
8164770	15	Arm Pivot Shaft
8164820	16	Large Idler Gear
8164880	17	Idler Gear Bearing
8164750	18	#1 Chip Guard
8164760	19	#2 Chip Guard
8164810	20	Compensator Gear
81X6XXX	21	Thrust Bearing (anti-friction) / (carbide)--optional
9094457	22	Locking Screw
8025501	23	Spanner Wrench
item-1709	24	Hex Wrenches (each)
8416060	25	Arm Adjusting Screw
8416061	26	Arm Locking Screw
8179160	27	Bronze Thrust Bushing
8200011	28A	#1 Roll Gap Spacer -- 1 notch
8200012	28B	#2 Roll Gap Spacer -- 2 notches
001U261	N/A	Micrometer Setting Gage

SPECIFICATIONS IN THIS SHEET ARE SUBJECT TO CHANGE WITHOUT NOTICE