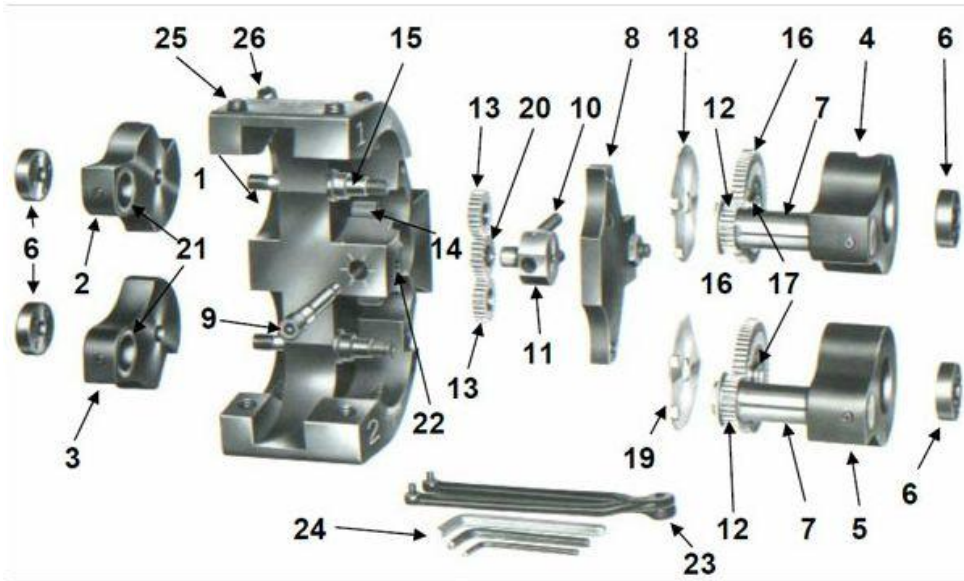


**ATTACHMENT B18  
SPARE PARTS SHEET SP130227/004-ING**



Code	Part. N°	Part name
8200160	1	Head Body
8177600A	2	#1 Solid Arm (incl. bearing)
8177590A	3	#2 Solid Arm (incl. bearing)
8199930A	4	#1 Geared Arm (incl. spacer & bearing)
8199940A	5	#2 Geared Arm (incl. spacer & bearing)
8164780	6	Arm Clamping Nut
81XXXX0	7	Roll Pin - carbide / bronze
8165160	8	Cover Plate
8165020	9	Matching Adj. Screw
8172080	10	Compensator Spring
8164960	11	Compensator Block
8164940	12	Drive Gear
8164950	13	Intermediate Gear
8164910	14	Gear Stud
8164890	15	Arm Pivot Shaft
8164930	16	Large Idler Gear
8165060	17	Idler Gear Bearing
8165030	18	#1 Chip Guard
8165040	19	#2 Chip Guard
8164950	20	Compensator Gear
8XXXXXX	21	Thrust Bearing (anti-friction) / (carbide)--optional
9094453	22	Locking Screw
8025501	23	Spanner Wrench
item-1672	24	Hex Wrenches (each)
8416050	25	Arm Adjusting Screw
8416052	26	Arm Locking Screw
8178860	27	Bronze Thrust Bushing
8199951	28A	#1 Roll Gap Spacer -- 1 notch
8199952	28B	#2 Roll Gap Spacer -- 2 notches
001U60	N/A	Micrometer Setting Gage
8191580	N/A	Max. Modified Solid Arm #1
8191590	N/A	Max. Modified Solid Arm #2
item-1681	N/A	Thread Rolling Attach. Handbook
item-1682	N/A	Adapters

**SPECIFICATIONS IN THIS SHEET ARE SUBJECT TO CHANGE WITHOUT NOTICE**